



Wolong ECM Vector Motor

Wolong Vector Motor

Electronically controlled motors (ECM) are commonly applied in advanced HVAC and fan systems, which meet energy efficiency levels of IE4 (and above) while supporting multiple control and operation modes.

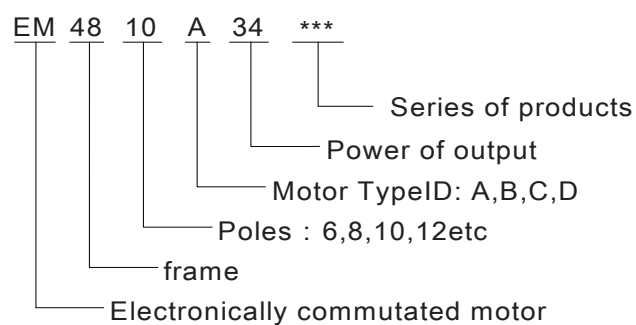
EM48 Series Motor Features

- » Constant Torque & Constant Speed modes
- » Constant air flow customization
- » COM, PWM, 0-10VDC speed control
- » Up to 5 discrete speed selections by 24VAC
- » 200-2000rpm rotate speed options
- » 115/230VAC single phase power supply (50Hz/60Hz)
- » Advanced electronic protection features built-in
- » CW and CCW rotation
- » IP20-IP55 options for indoor & outdoor applications
- » Complies with UL 63730 CLASS B requirements

Motor Technology

- » Optimal control at all speed ranges to maximize torque
- » Robust control, not sensitive to parameter variations
- » High torque and precise speed controls
- » Interior PM motor, concentrated flux design
- » Magnet protection to avoid demagnetization
- » Direct flux control technology, high power density

Type Designation



Specifications

2

Motor Parameters

Motor Parameters

» Low speed series

Model	Output	Rated (RPM)	Voltage Supply (VAC)	Max Current at 60 Hz(A)	Efficiency (%)
EM4810B14***	1/4HP	1050	115	2.9	80
			208~230	1.7	81
EM4810B12***	1/3HP & 1/2HP	1050	115	3.5/5.5	81
			208~230	2.3/3.1	82
EM4810A34***	3/4HP	1050	115	7.8	82
			208~230	4.2	83
EM4810A11***	1HP	1050	115	10.8	84
			208~230	5.5	85

Motor Parameters

» High speed series

Model	Output	Rated (RPM)	Voltage Supply (VAC)	Max Current at 60 Hz(A)	Efficiency (%)
EM4810D14***	1/4HP	1800	115	3.2	81
			208~230	1.7	82
EM4810D12***	1/2HP	1800	115	5.8	84
			208~230	3.0	87
EM4810C34***	3/4HP	1800	115	8.2	85
			208~230	4.3	87
EM4810C11***	1HP	1800	115	10.7	85
			208~230	5.5	88

** Motor choices include IP20-IP55 options

** Shaft diameter selection: Φ 12.7/ Φ 15/ Φ 15.87

Type A: 5 Speed Motor with Insert Terminal

- ✔ Constant speed mode
- ✔ 24VAC speed control,
- ✔ Up to 5 discrete speeds
- ✔ Speed range 200-2000rpm
- ✔ 115/230VAC single phase power supply (50Hz/60Hz)
- ✔ Motor protection IP20 to IP22
- ✔ Open structure for indoor applications



Type B: Multi Speed Design for Replacement Applications

- ✔ Constant speed mode
- ✔ 24VAC speed supply
- ✔ Up to 5 discrete speeds
- ✔ Selectable direction of rotation
- ✔ Speed range 200-2000rpm
- ✔ 115/230VAC single phase power supply (50Hz/60Hz)
- ✔ Motor protection IP20 to IP44
- ✔ Suitable for indoor and outdoor applications



Type C: Serial and PWM Motor

- ✔ Constant torque, constant speed modes
- ✔ PWM speed control with serial communication
- ✔ Selectable direction of rotation
- ✔ Speed range 200-2000rpm
- ✔ 115/230VAC single phase power supply (50Hz/60Hz)
- ✔ Supports maximum speed limit
- ✔ Motor protection IP20 to IP55,
- ✔ Suitable for indoor and outdoor applications



Specifications

4

Type D, E, F

Type D: 0-10V Speed Control Motor

- ✔ Constant speed mode
- ✔ Speed range 200-2000rpm
- ✔ 0~10VDC speed control with high-linearity
- ✔ 115/230VAC single phase power supply (50Hz/60Hz)
- ✔ Customizable mounting options
- ✔ Motor protection IP44 to IP55
- ✔ Enclosed for outdoor applications



Type E: Separable Control Motor

- ✔ Constant torque, constant speed modes
- ✔ Selectable direction of rotation
- ✔ Supports maximum speed limit
- ✔ COM, PWM, 0-10VDC, or 5 discrete speeds
- ✔ Speed range 200-2000rpm
- ✔ 115/230VAC single phase power supply (50Hz/60Hz)
- ✔ Motor protection IP42 to IP55,
- ✔ Enclosed for outdoor applications

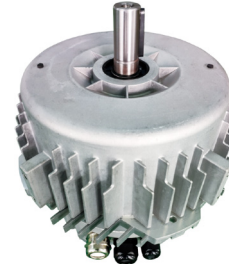


Type F: Double Shaft Motor

- ✔ Constant torque, constant speed modes
- ✔ Selectable direction of rotation
- ✔ COM, PWM, 0-10VDC, or 5 discrete speeds
- ✔ Speed range 200-2000rpm
- ✔ 115/230VAC single phase power supply (50Hz/60Hz)
- ✔ Steel shell motor, customizable mounting options
- ✔ Motor protection IP20 to IP44,
- ✔ Suitable for indoor applications



The successful 3 phase controller vector motor series serves commercial and industrial HAVC applications.



Motor Features

- » 380-480VAC three phase power supply (50 Hz/60 Hz)
- » Speed range 200-1800rpm
- » Maximum output power 3.7kw
- » 0-10VDC analog speed control or PWM speed control
- » Supports customizable serial communication
- » Up to 91% system efficiency, comply with IE4 motor efficiency
- » IP54-IP66 motor protection and advanced electronic protection

Technical Data

Type	Voltage Supply (VAC)	Freq. (Hz)	Output power (KW)	Input current (A)	Rated (r/min)	Torque (NM)	Eff (%)	Poles
EM56	380-480	50/60	1.1	2.2	1000	10.5	85	10
	380-480	50/60	1.1	2.1	1500	7.0	87	10
	380-480	50/60	1.5	2.9	1500	9.6	88	10
	380-480	50/60	1.1	2.09	1800	5.8	88	10
	380-480	50/60	1.5	2.89	1800	8.0	89	10

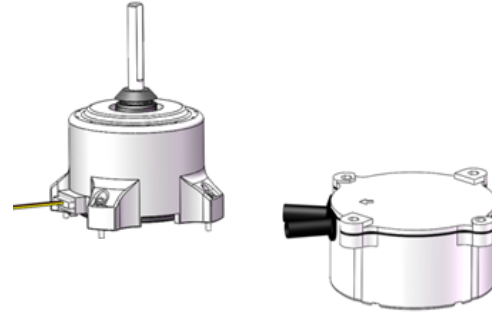
Technical Data

» Technical Data (Continued)

Type	Voltage Supply (VAC)	Freq. (Hz)	Output power (KW)	Input current (A)	Rated (r/min)	Torque (NM)	Eff (%)	Poles
EC112	380-480	50/60	1.1	2.2	1000	10.5	85	10
	380-480	50/60	1.5	2.9	1000	14.3	86	10
	380-480	50/60	1.1	2.1	1500	7.0	87	10
	380-480	50/60	1.5	2.9	1500	9.6	88	10
	380-480	50/60	2.2	4.1	1500	14.0	89	10
	380-480	50/60	1.1	2.09	1800	5.8	88	10
	380-480	50/60	1.5	2.89	1800	8.0	89	10
	380-480	50/60	2.2	4.03	1800	11.7	91	10
EC132	380-480	50/60	1.1	2.2	1000	10.5	85	10
	380-480	50/60	1.5	2.9	1000	14.3	86	10
	380-480	50/60	2.2	4.2	1000	21.0	87	10
	380-480	50/60	3.0	5.6	1000	28.7	89	10
	380-480	50/60	1.1	2.1	1500	7.0	87	10
	380-480	50/60	1.5	2.9	1500	9.6	88	10
	380-480	50/60	2.2	4.1	1500	14.0	90	10
	380-480	50/60	3.0	5.6	1500	19.1	90	10
	380-480	50/60	1.1	2.09	1800	5.8	88	10
	380-480	50/60	1.5	2.89	1800	8	89	10
	380-480	50/60	2.2	4.03	1800	11.7	91	10
	380-480	50/60	3.0	5.5	1800	15.9	91	10
	380-480	50/60	3.7	6.8	1800	19.6	91	10

Resin Motor Series

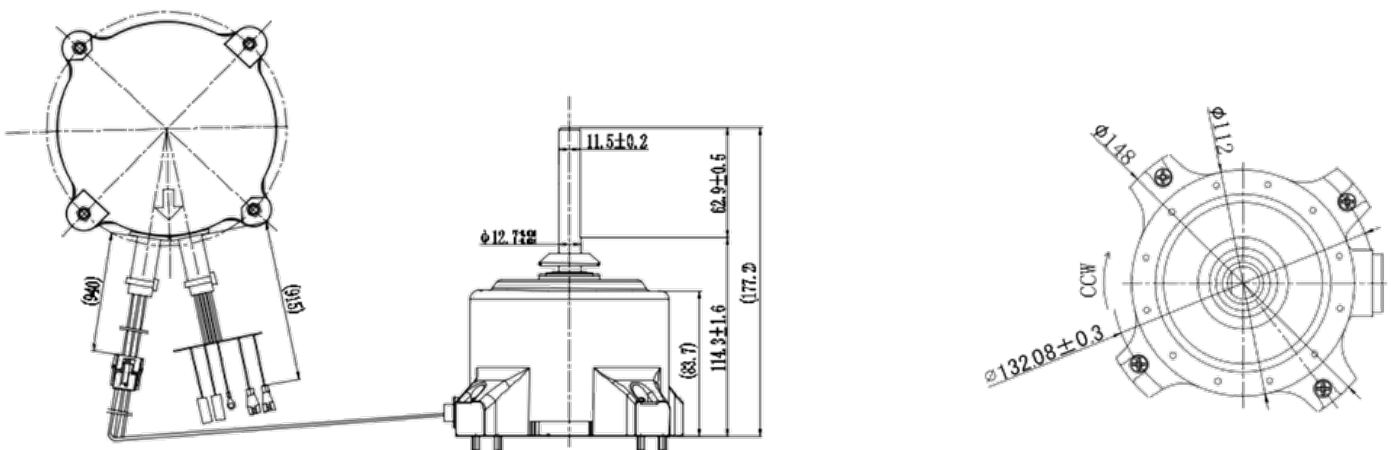
1. PWM and COM speed control
2. Constant speed mode
3. Speed range 200-1300rpm, customizable
4. Multi-protection features
5. Plastic resin motor structure, high protection
6. Separation structure and lift on lift-off type



Motor Parameters

Type	Controller Type	Voltage (VAC)	Freq. (Hz)	Current (A)	Output (W)	Rated (r/min)	Torque (NM)
ZWB4710L03A	ECA001A	240	60	2.52	308	1050	2.8
ZWB4710L03A	ECA001B	240	60	2.28	269	917	2.8
ZWB4710L03A	ECA001C	240	60	1.83	200	682	2.8

Dimension Figure

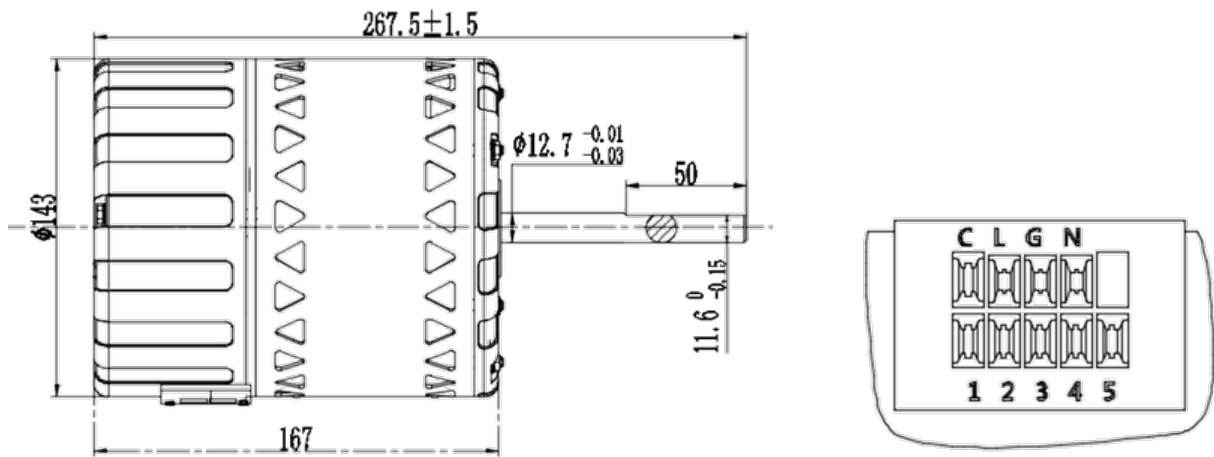


Technical Data

8

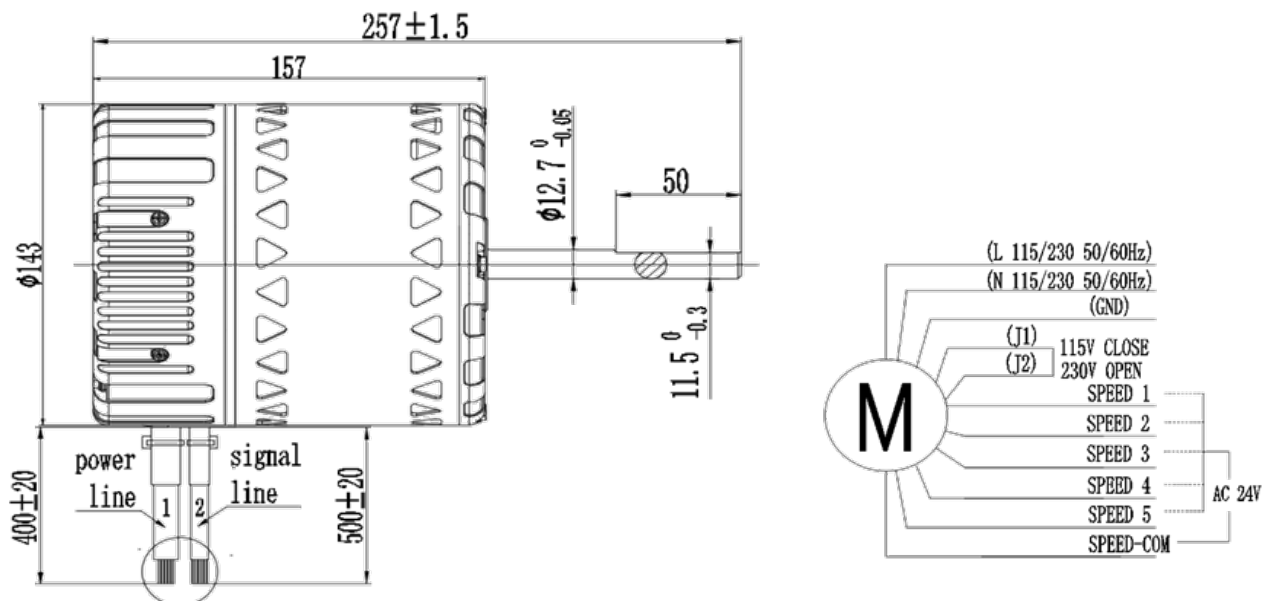
Type A, B

Type A 5 Speed Motor with Insert Terminal



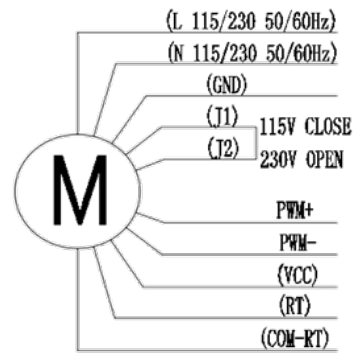
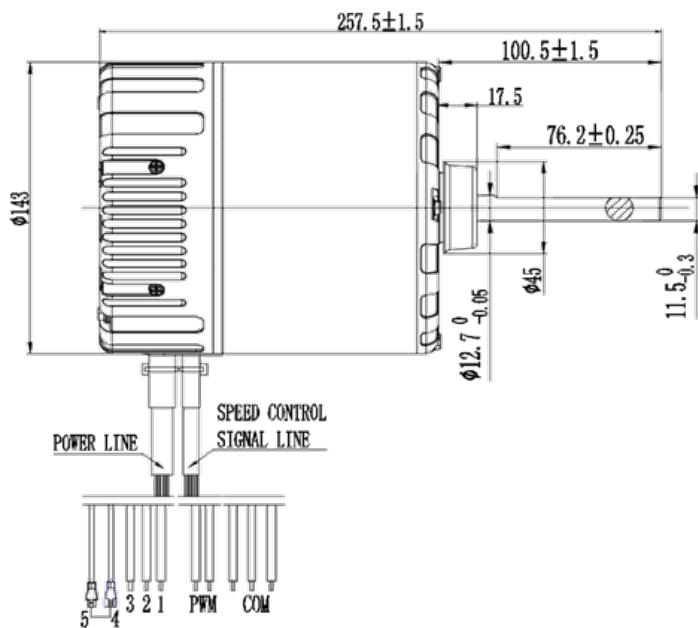
**Motor shaft diameter, shaft length and outgoing line can be customized

Type B Multi-speed Design for Replacement Applications



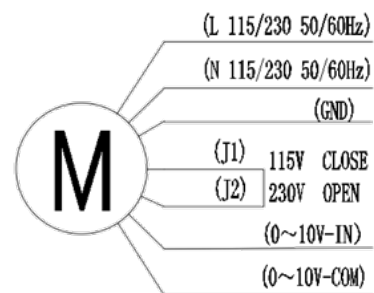
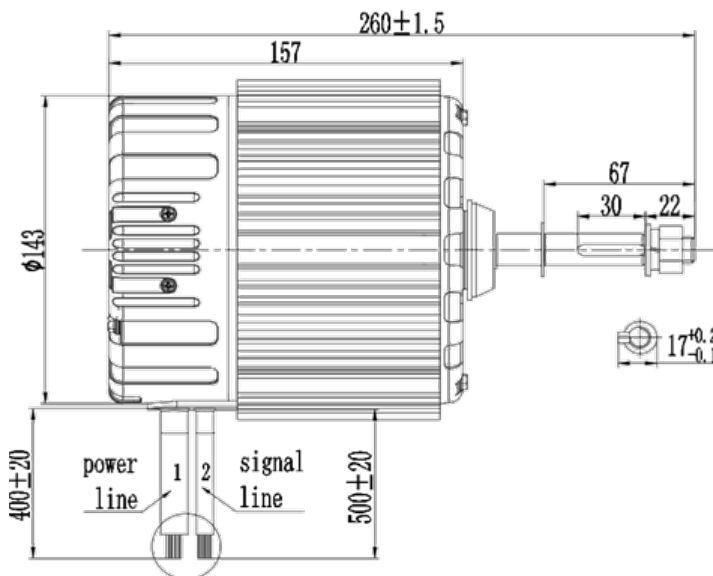
**Motor shaft diameter, shaft length and outgoing line can be customized

Type C Serial and PWM Motor



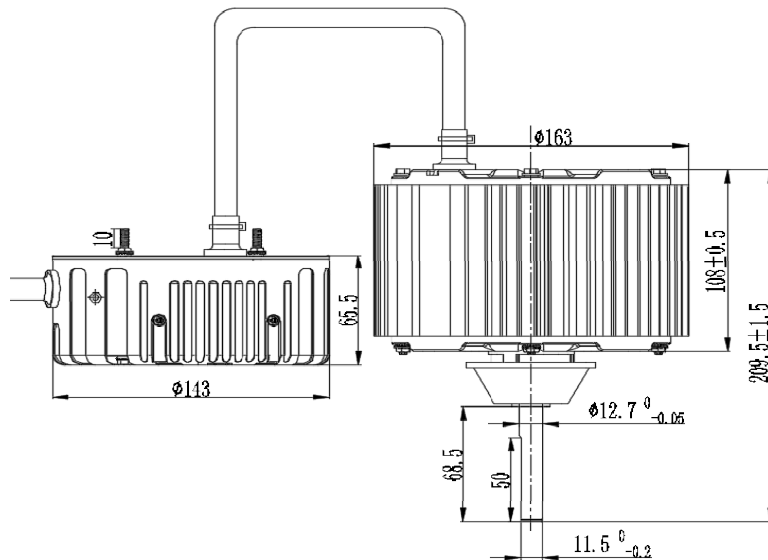
**Motor shaft diameter, shaft length and outgoing line can be customized

Type D 0-10V Speed Control Motor



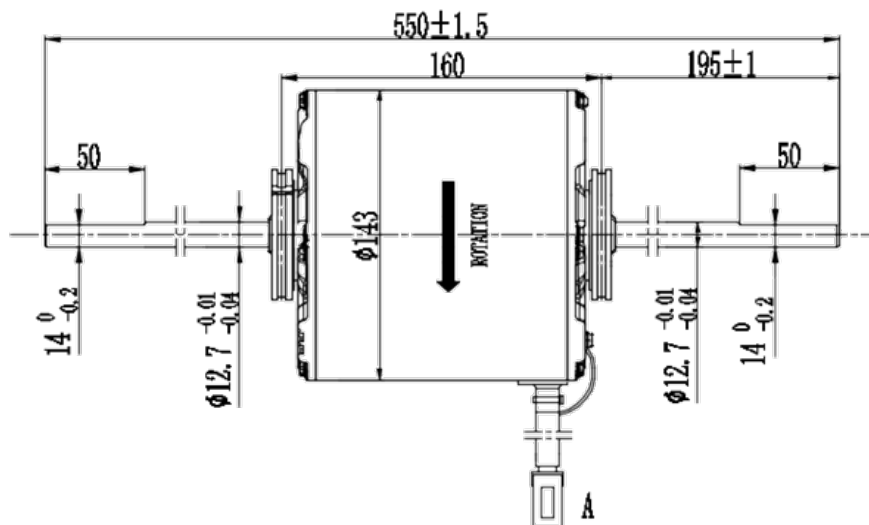
**Motor shaft diameter, shaft length and outgoing line can be customized

Type E Separable Control Motor



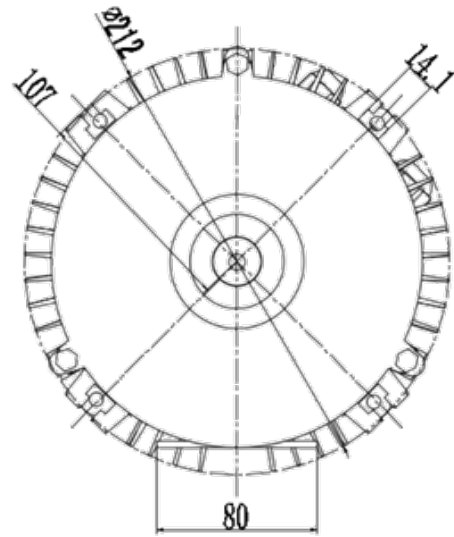
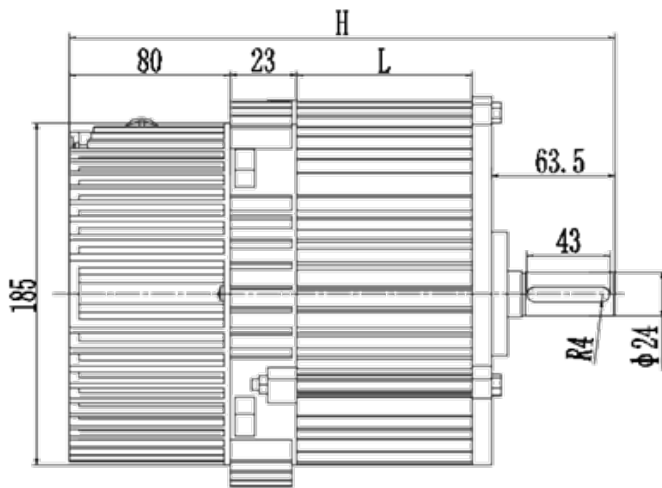
**Motor shaft diameter, shaft length and outgoing line can be customized

Type F Double Shaft Motor



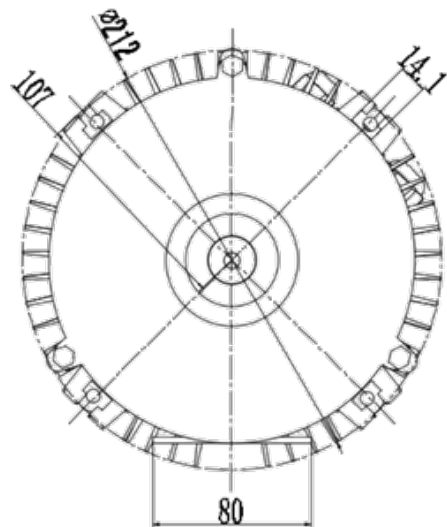
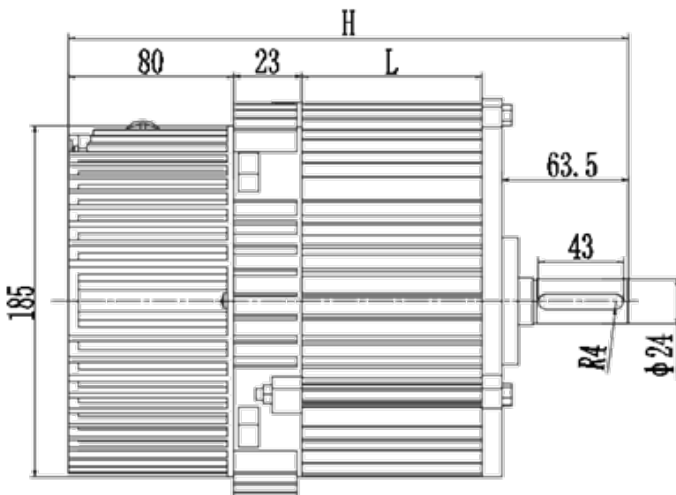
**Motor shaft diameter, shaft length and outgoing line can be customized

EM56 Vector Motor



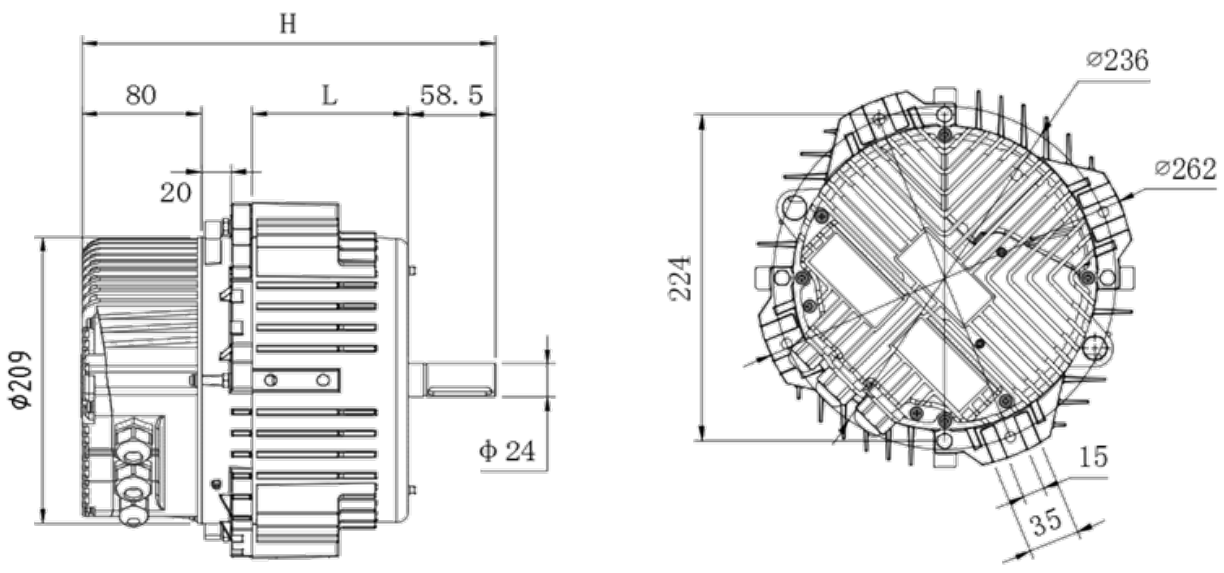
H(mm)	L(mm)
284,294	90,100

EC112 Vector Motor



H(mm)	L(mm)
267.5, 277.5	90,100

EC132 Vector Motor



H(mm)	L(mm)
263, 277	90,104

MOTOR TYPE		
£ Type: A	£ Type: B	£ Type: C
£ Type: D	£ Type: E	£ Type: F
£ EM48	£ EM56	£ EC112
£ EC132		
RUNNING MODE		
£ Constant speed	£ Constant torque	£ Constant air flow
SPEED CONTROL MODE (Multiple Choices)		
£ Serial	£ PWM	£ 0-10VDC
£ 5 discrete speeds		
MOTOR STRUCTURE		
£ Steel shell	£ Aluminum shell	£ Resin shell
SHAFT DIAMETER		
£ $\phi 12.7$ mm	£ $\phi 15$ mm	£ $\phi 15.87$ mm
£ $\phi 14.0$ mm	£ $\phi 24$ mm	£ Other
MOTOR HEIGHT		
£ 257.5mm	£ 267.5mm	£ Other



Contact

Asia

Zhejiang Wolong International Business Co., Ltd
No.1801, Renmin West Road
Shangyu, Zhejiang, China
T +86 575 823 98874
F +86 575 821 76717
international@wolong.com
www.wolong-electric.com

Europe

Wolong EMEA (Germany) GmbH
Schwalmstraße 289
41238 Mönchengladbach, Germany
T +49 7182 14-1
F +49 7182 14-590
info-de@atb.wolong.com
www.wolong-electric.com

Americas

Wolong Americas LLC
3050 Post Oak Boulevard, suite 630
Houston, Texas 77056, USA
T +1 (346) 616-0102
F +1 (855) 511-6620
rfq.americas@wolong.com
www.wolong-electric.com



**BROOK
CROMPTON**



GE INDUSTRIAL MOTORS

**LAURENCE
SCOTT**

MORLEY



SCHORCH



WOLONG