

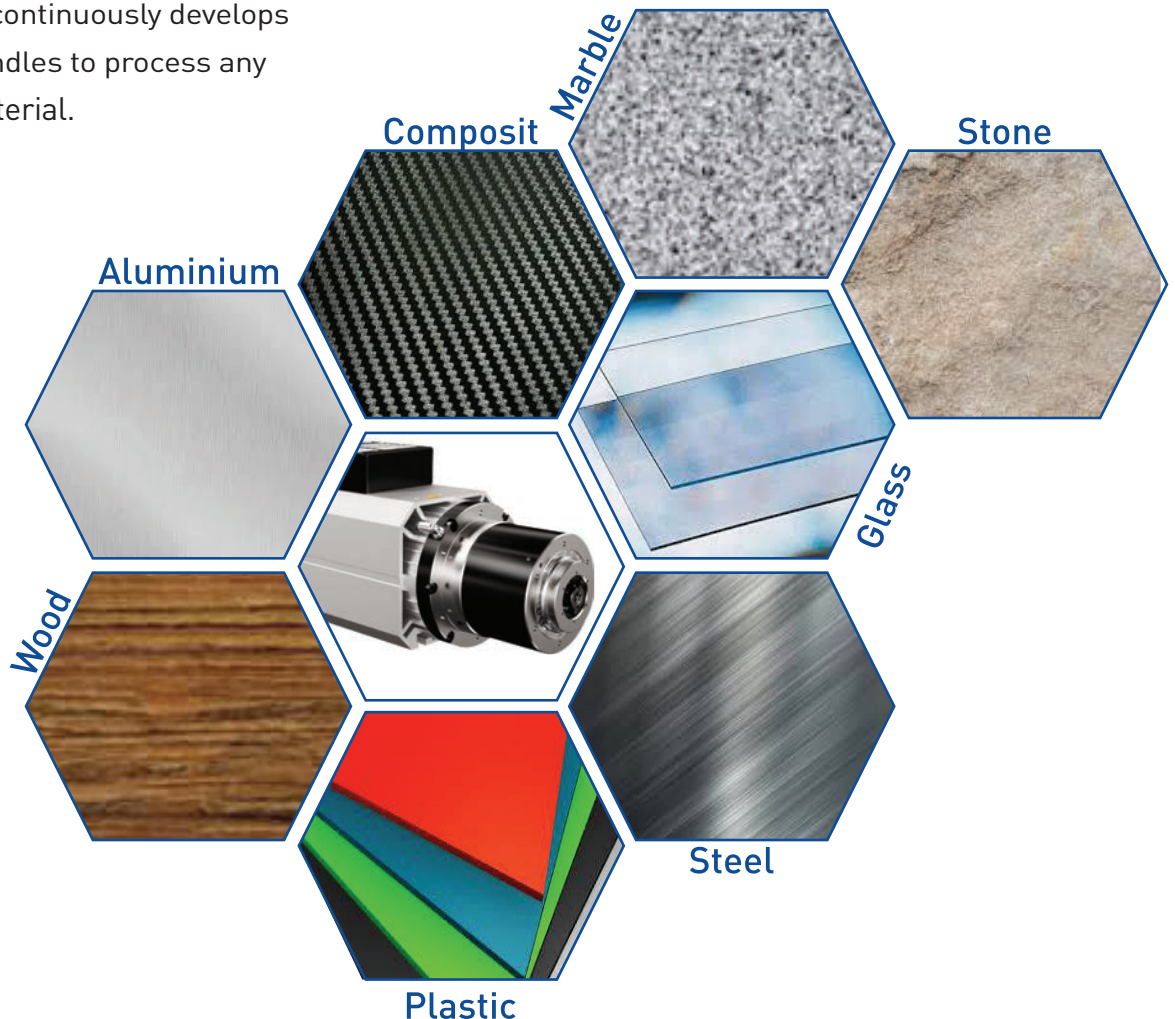
2 Axis Milling Heads

OLIspeed began from the resourcefulness of people with recognized technical, productive and commercial experience in the machine tool sector and Hi-Tech components necessary to guarantee or improve the machines performance. In addition it was the desire of the OLI group to expand its business in the industrial field.

OLIspeed is an independent company and is not a manufacturer of CNC machines nor directly or indirectly involved with any organization, corporation or group. OLIspeed's core business is to develop, produce, and market electro-spindles, milling heads and accessories suitable for machine tools. Used for processing various materials from all types of wood to aluminium, to plastic to glass, to marble and steel.

OLIspeed, is part of the OLI group, a world leader in its sector and takes advantage of mass production of mechanical and electromechanical components, and its worldwide distribution network.

OLIspeed continuously develops electrospindles to process any type of material.



WHEN YOU NEED IT, WHERE YOU NEED IT

OLIspeed uses the OLI sales network consisting of 18 branches distributed around the world, to support our customers with pre and after sales service. Standard products are available upon request from our warehouses.

“When you need it, where you need it.”

OLI Australia

OLI Benelux

OLI Brasil

OLI China

OLI France

OLI Germany

OLI India

OLI Italy

OLI Malta

OLI Middle East

OLI Nordic

OLI Russia

OLI South Africa

OLI Spain

OLI Thailand

OLI Turkey

OLI UK

OLI USA



Excellent customer service is one of OLIspeed's primary objectives which it guarantees through its vast worldwide distribution network of solely owned branches.

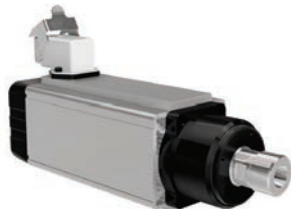


EXCLUSIVE CERTIFICATION

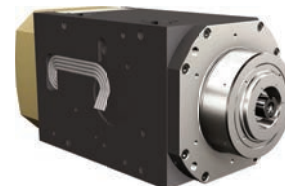
Electric motor with insulation system US certified



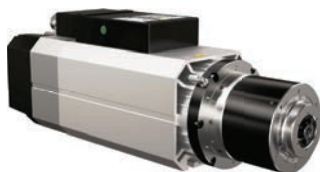
RANGE OF ELECTROSPINDLES WITH UL CERTIFICATION



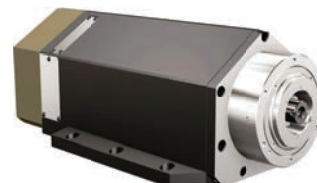
SME 070-103
From 0.8 kW to 6 kW



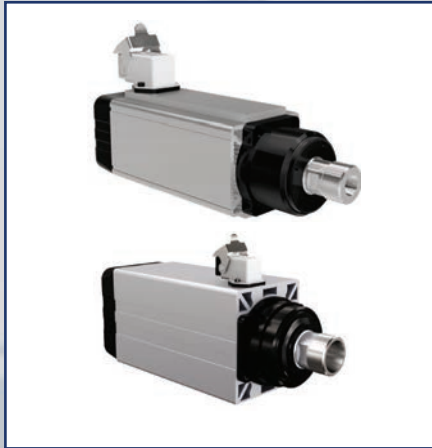
SAB150
From 7 Kw to 24 kW



SAE 103/SAE 145
From 3.5 kW to 16 Kw



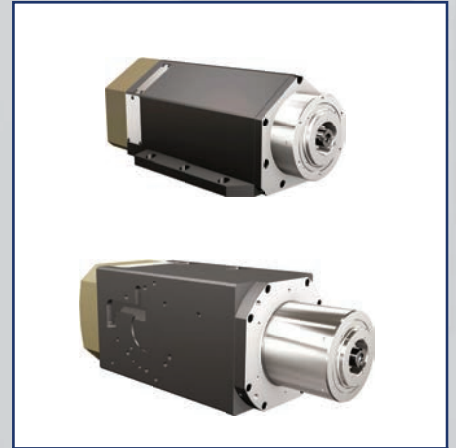
SAB 132
From 11.5 kW to 16 kW



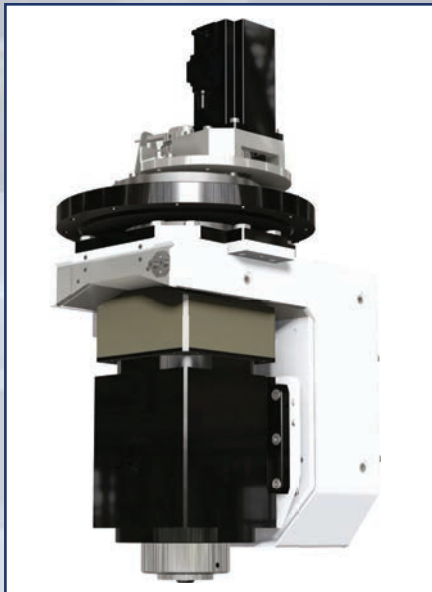
Electrospindle
Manual tool change MTC
From 0,6 to 1 kW



Electrospindle Extruded series
Automatic tool change ATC
From 3,5 to 16 kW



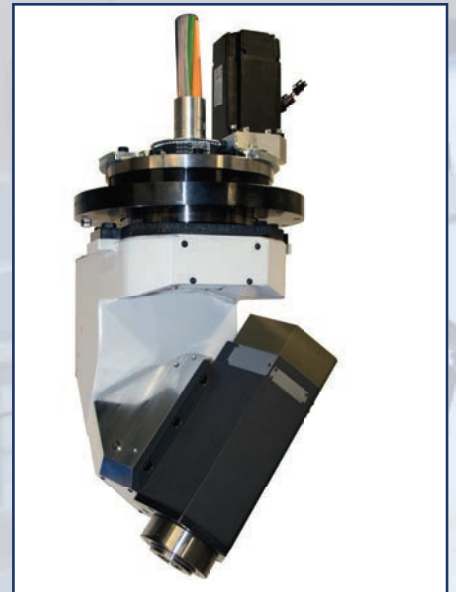
Electrospindle Block series
Automatic tool change ATC
From 7 to 24 kW



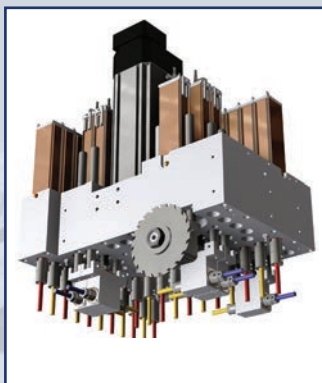
Milling heads
Single shoulder 90°
From 10 to 15 kW



Milling heads
Double shoulder
From 15 to 24 kW



Milling heads
Single shoulder 50°
From 11,5 to 16 kW



Boring Unit
Vertical, Horizontal,
blade and accessory



Heat exchanger
150-300 W/°C



Refrigerator/ Chiller
1,6-4,2 kW



Accessory



SINGLE SHOULDER

Main features

- FEM designed iron frame welded and finished by CNC machines to achieve high precision.
- Rotation angle of A axis at 90° respect to the C Axis.
- Electrospindles SAB 150 series with hard anodizing housing.
- Liquid cooled.
- C and A axis with big size Harmonic drive reduction gear.
- Available options with A axis locking device.

Technical data

- A axis rotation angle +110°, -90°
- C axis rotation angle +/- 365°
- Electrospindles power up to 24 kW and 24,000 rpm.

DOUBLE SHOULDER

Main features

- FEM designed cast iron frame completely produced by advanced CNC machines.
- Electrospindles SAB 150 series with hard anodizing housing.
- Liquid cooled.
- C and A axis with big size Harmonic drive reduction gear.

Technical data

- A axis rotation angle +110°, -90°
- C axis rotation angle +/- 365°
- Electrospindles power up to 24 kW and 24,000 rpm.

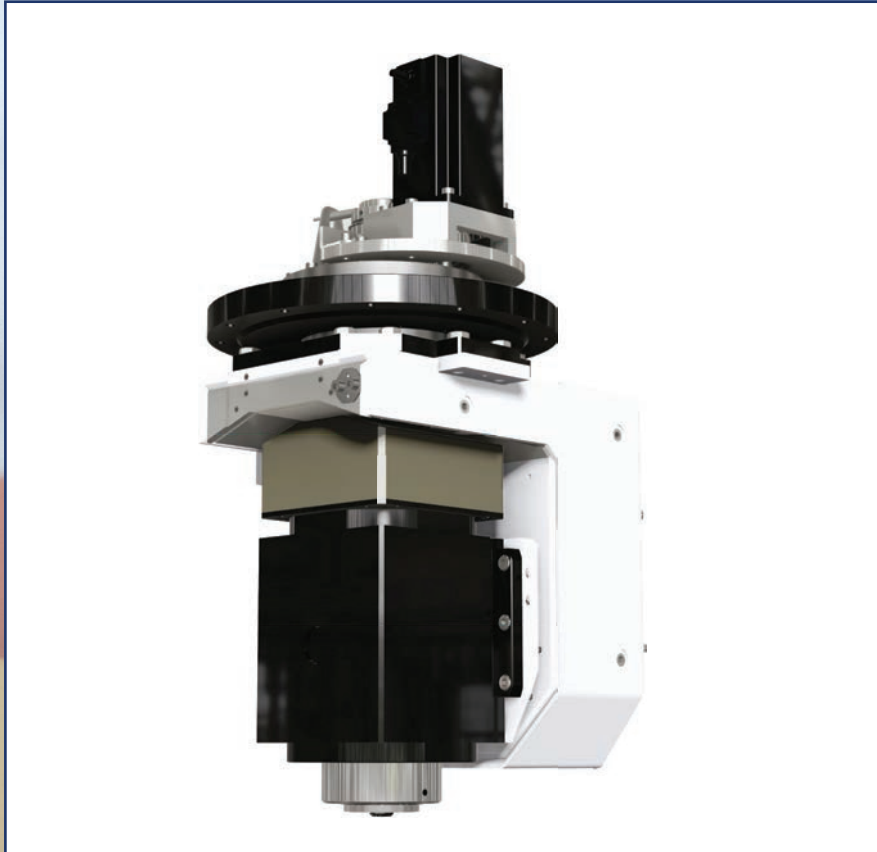
SINGLE SHOULDER 50 DEGREE

Main features

- FEM designed iron frame welded and finished by CNC machines to achieve high precision.
- Rotation angle of A axis at 50° respect to the C Axis.
- Electrospindles SAB 132 series with hard anodizing housing.
- Liquid cooled. C and A axis with big size Harmonic drive reduction gear.

Technical data

- A axis rotation angle +110°, -90°
- C axis rotation angle +/- 365°
- Electrospindles power up to 16 kW and 24,000 rpm.

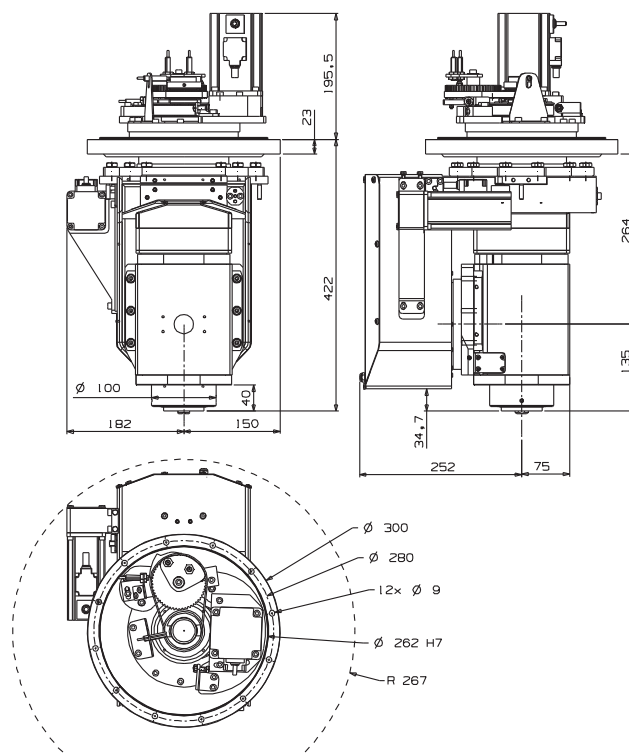


Applications

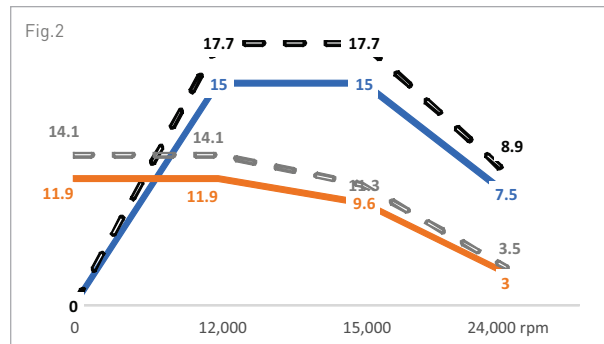
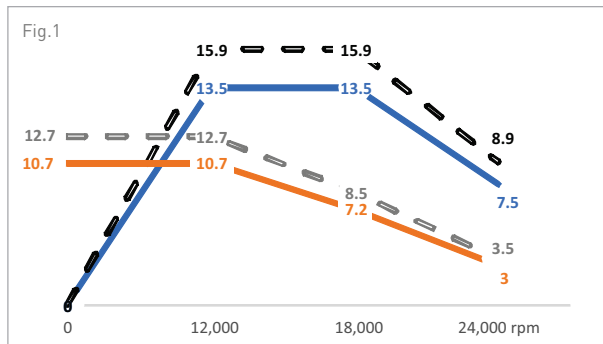
Small and medium size 5 axis machines. Wood, plastic and aluminium profile materials can be easily milled and drilled.

Available version with electrospindle encoder for tapping operation.

Dimensions



Power and torque



— Power S1 (kW) — Torque S1 (Nm) - - Power S6 (kW) - - Torque S6 (Nm)

Main characteristics

HAS420 - 2 axis milling heads

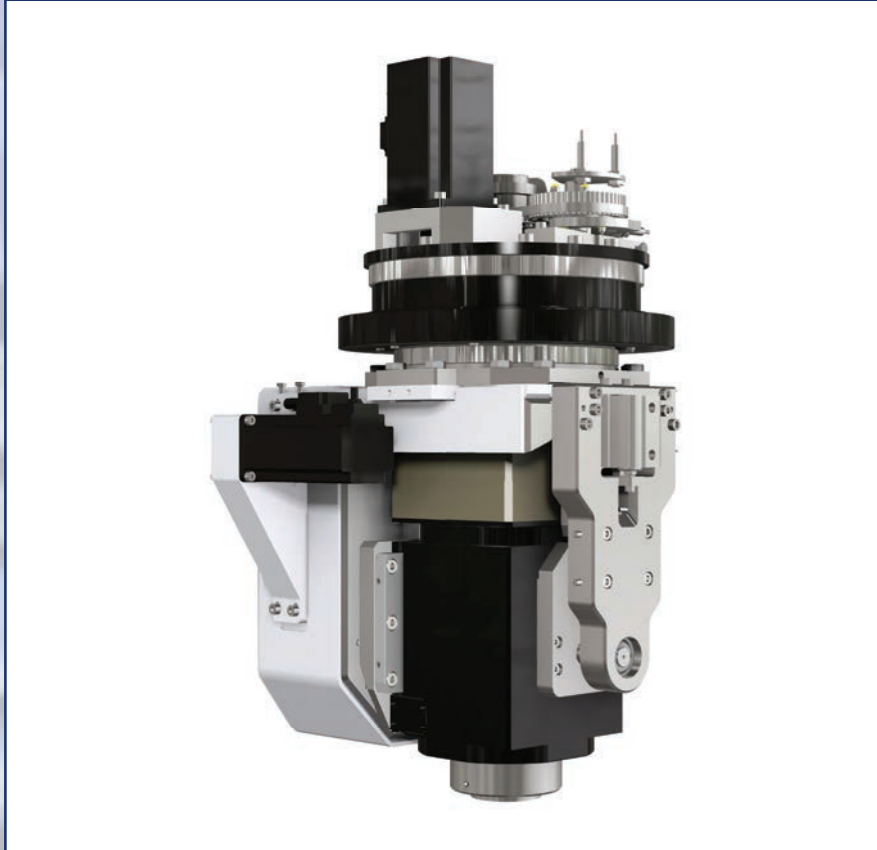
Electrospindle type ¹	-	SAB150 short nose	
Power S1 / Rated speed	kW / rpm*1000	13.5 / 12	fig. 1
		15.0 / 12	fig. 2
Torque S1	Nm	See Chart	
Tool taper	-	HSK F63	
Axis A			
Rotation range	grade °	+110	-90
Continuous torque	Nm	320	
Max . Torque	Nm	600	
Servomotor power ²	W	400	
Servomotor Nominal - Max speed	rpm	3000	5000
Limit switch sensor type / N°	-	PNP-NC	2
Gearbox type/size	-	Harmonic drive 40	
Ratio	-	1/363	
Locking device / type	-	-	
Axis encoder	-	-	
Axis C			
Rotation range	grade °	+365	-365
Continuous torque	Nm	320	
Max . Torque	Nm	600	
Servomotor power ³	W	800	
Servomotor Nominal - Max speed	rpm	3000	5000
Limit switch sensor type / N°	-	PNP-NC	2
Gearbox type / size	-	Harmonic drive 40	
Ratio	-	1/363	
Locking device / type	-	-	
Axis encoder	-	-	
Weight	kg	85	

SAB150 optional available

Speed monitoring	√
Side box connectors	-
Plug and play connectors	-
Aggregate reference sleeve	√
Encoder 1Vpp	√
Encoder TTL	√
Vibration sensor	-
Bearing temperature sensor	-
* √ available, - not available	

Note

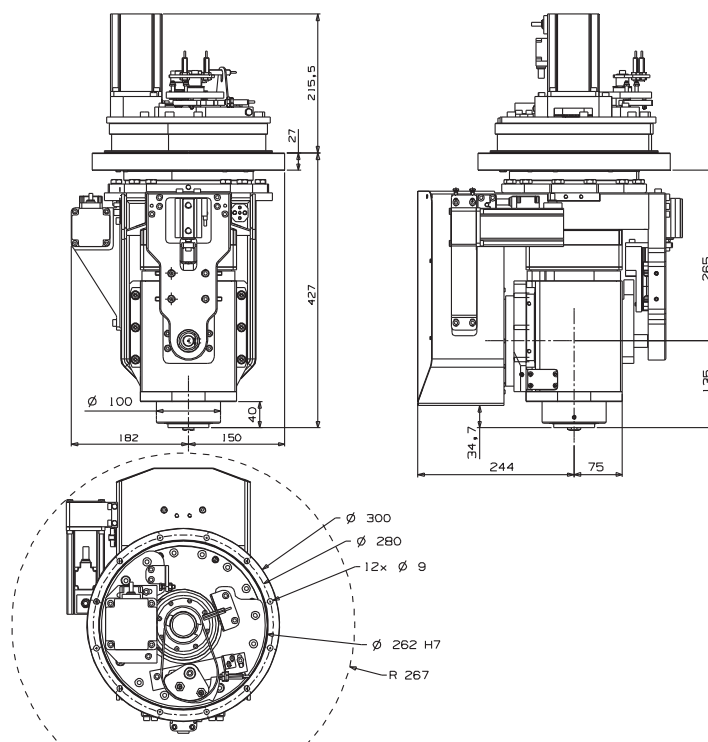
- For further option see SAB150 catalogue section
- Square motor flange 60x60 Yaskawa-Delta other brands on request
- Square motor flange 80x80 or 90x90 Yaskawa-Delta other brands on request



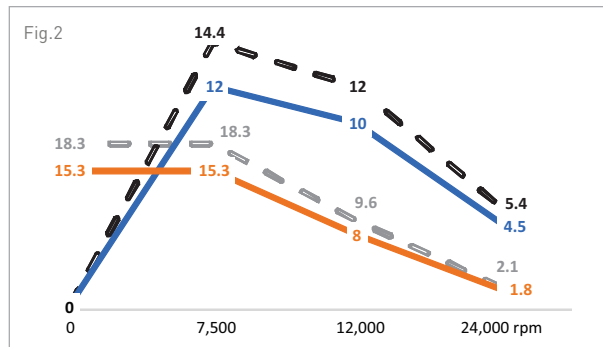
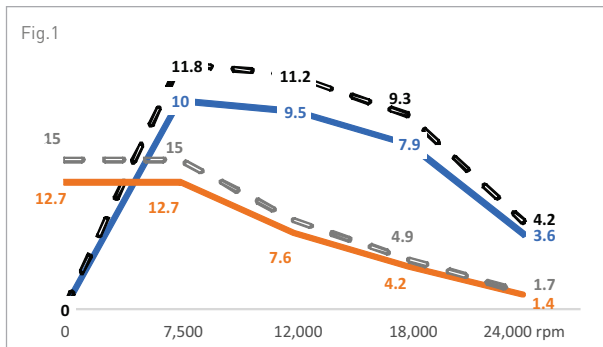
Applications

Medium size 5 axis machines for medium and heavy machining duty cycles. Wood, plastic and aluminium materials can be easily milled and drilled. Available version with B axis clamping unit and electro-spindle encoder for tapping operation.

Dimensions



Power and torque



— Power S1 (kW) — Torque S1 (Nm) - - Power S6 (kW) - - Torque S6 (Nm)

Main characteristics

HAS420 - 2 axis milling heads

Electrospindle type ¹	-	SAB150 short / long nose	
Power S1 / Rated speed	kW / rpm*1000	10.0 / 7.5	fig. 1
		12.0 / 7.5	fig. 2
Torque S1	Nm	See Chart	
Tool taper	-	HSK F63	
Axis A			
Rotation range	grade °	+110	-90
Continuous torque	Nm	320	
Max . Torque	Nm	600	
Servomotor power ²	W	400	
Servomotor Nominal - Max speed	rpm	3000	5000
Limit switch sensor type / N°	-	PNP-NC	2
Gearbox type/size	-	Harmonic drive 40	
Ratio	-	1/363	
Locking device / type	-	Available / Vertical	
Axis encoder	-	-	
Axis C			
Rotation range	grade °	+365	-365
Continuous torque	Nm	700	
Max . Torque	Nm	800	
Servomotor power ³	W	800	
Servomotor Nominal - Max speed	rpm	3000	5000
Limit switch sensor type / N°	-	PNP-NC	2
Gearbox type / size	-	Harmonic drive 58	
Ratio	-	1/363	
Locking device / type	-	-	
Axis encoder	-	-	
Weight	kg	95	

SAB150 optional available

Speed monitoring	✓
Side box connectors	-
Plug and play connectors	-
Aggregate reference sleeve	✓
Encoder 1Vpp	✓
Encoder TTL	✓
Vibration sensor	-
Bearing temperature sensor	-
* ✓ available, - not available	

Note

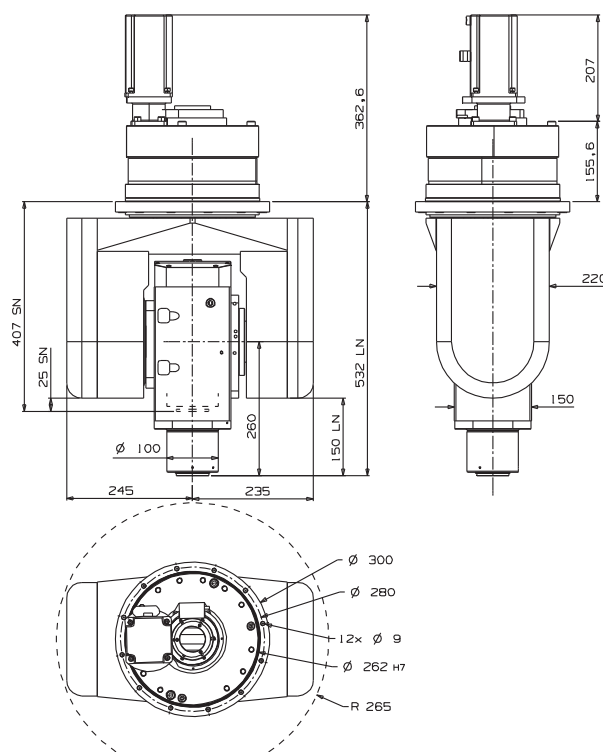
- For further option see SAB150 catalogue section
- Square motor flange 60x60 Yaskawa -Delta other brands on request
- Square motor flange 80x80 or 90x90 Yaskawa-Delta other brands on request
- Synchronous motor. (Where is not specified asynchronous motor)



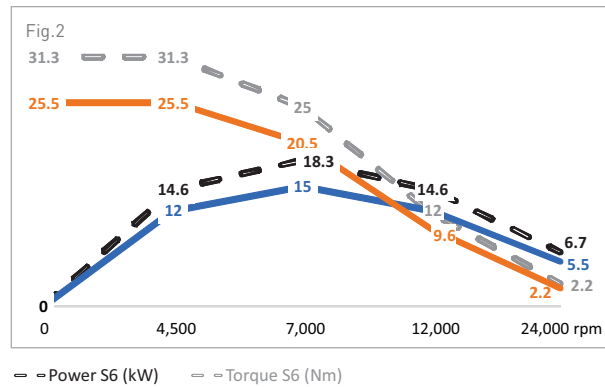
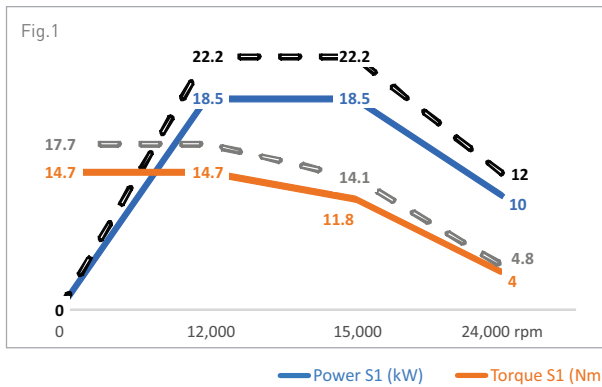
Applications

Medium big size wood working and aluminium 5 axis machines for heavy machining duty cycles. Can be equipped with high performance electrospindles for heavy milling operations, wood, plastic and aluminium materials can be easily milled and drilled. Available with electrospindle encoder for tapping operation.

Dimensions



Power and torque



Main characteristics

HDS490 - 2 axis milling heads			
Electrospindle type ¹	-	SAB150 short/long nose	
Power S1 / Rated speed / N° Poles	kW / rpm*1000	18.5 / 12	fig. 1
		15.0 / 7	fig. 2 ⁴
Torque S1	Nm	See Chart	
Tool taper	-	HSK F63	
Axis A			
Rotation range	grade °	+110	-110
Continuous torque	Nm	420	
Max . Torque	Nm	1000	
Servomotor power ²	W	400	
Servomotor Nominal - Max speed	rpm	3000	5000
Limit switch sensor type / N°	-	PNP-NC	2
Gearbox type	-	Planetary gear box	
Ratio	-	1/222	
Direct axis brake device	Nm	Yes/Optional	
Direct axis encoder	-	Yes/Optional	
Axis C			
Rotation range	grade °	+365	-365
Continuous torque	Nm	600	
Max . Torque	Nm	1800	
Servomotor power ³	W	800	
Servomotor Nominal - Max speed	rpm	3000	5000
Limit switch sensor type / N°	-	PNP-NC	2
Gearbox type	-	Planetary gear box	
Ratio	-	1/257.25	
Locking device / type / brake torque	Nm	Yes/Optional	
Axis encoder	-	Yes/Optional	
Weight	kg	120	

SAB150 optional available *	
Speed monitoring	✓
Side box connectors	-
Plug and play connectors	-
Aggregate reference sleeve	✓
Encoder 1Vpp	✓
Encoder TTL	✓
Vibration sensor	-
Bearing temperature sensor	-
* ✓ available, - not available	

Options available HDS490 *	
Direct encoder on A and C axes	✓
Direct brake on A and C axes	✓
Aluminium milling head body	✓
* ✓ available, - not available	

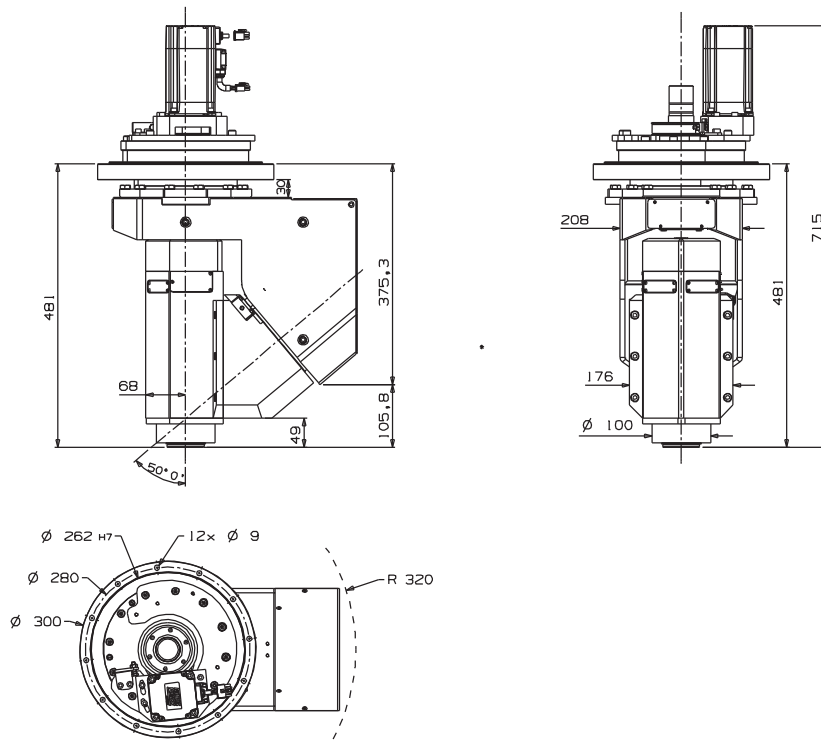
Note	
1	For further option see SAB150 catalogue section
2	Square motor flange 60x60 Yaskawa-Delta other brands on request
3	Square motor flange 80x80 or 90x90 Yaskawa-Delta other brands on request
4	Synchronous motor. (Where is not specified asynchronous motor)



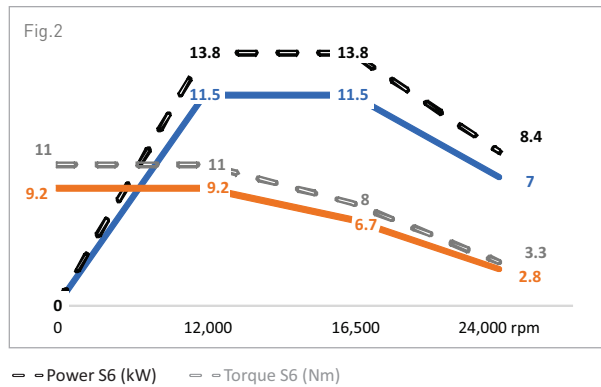
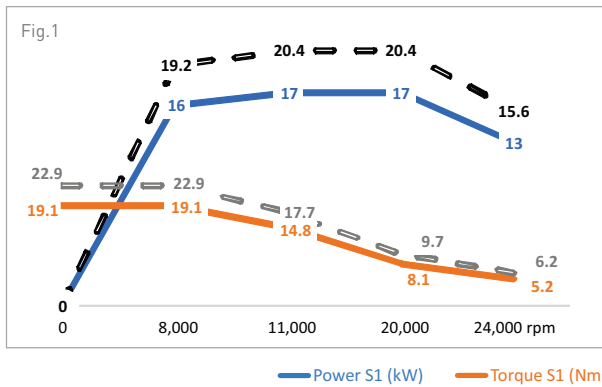
Applications

Small and medium size 5 axis machines. Specifically developed for machines where it's important have high performances in small size. Wood, plastic and aluminium profile materials can be easily milled and drilled. Available version with electrospindle encoder for tapping operation. High ratio between dimensions and performances.

Dimensions



Power and torque



Main characteristics

HFS490 - 2 axis milling heads			
Electrospindle type ¹	-	SAB132 short nose	
Power S1 / Rated speed / N° Poles	kW / rpm*1000	16.0 / 8 / 6	fig. 1 ⁴
		11.5 / 12 / 4	fig. 2
Torque S1	Nm	See Chart	
Tool taper	-	HSK F63	
Axis A			
Rotation range	grade °	+110	-110
Continuous torque	Nm	320	
Max . Torque	Nm	600	
Servomotor power ²	W	400	
Servomotor Nominal - Max speed	rpm	3000	5000
Limit switch sensor type / N°	-	PNP-NC	2
Gearbox type/size	-	Harmonic drive 40	
Ratio	-	1/363	
Locking device / Type / Optional	-	Pneumatic/all position	
Axis encoder	-		
Axis C			
Rotation range	grade °	+365	-365
Continuous torque	Nm	500	
Max . Torque	Nm	700	
Servomotor power ³	W	800	
Servomotor Nominal - Max speed	rpm	3000	5000
Limit switch sensor type / N°	-	PNP-NC	2
Gearbox type / size	-	Harmonic drive 50	
Ratio	-	1/363	
Locking device / Type / Optional	-	Pneumatic/all position	
Axis encoder	-		
Weight	kg	85	

SAB132 optional available	*
Speed monitoring	✓
Side box connectors	-
Plug and play connectors	-
Aggregate reference sleeve	✓
Encoder 1Vpp	✓
Encoder TTL	✓
Vibration sensor	-
Bearing temperature sensor	-
* ✓ available, - not available	

Note	
1	For further option see SAB150 catalogue section
2	Square motor flange 60x60 Yaskawa -Delta other brands on request
3	Square motor flange 80x80 or 90x90 Yaskawa-Delta other brands on request
4	Synchronous motor. (Where is not specified asynchronous motor)

Contact

OLIspeed s.r.l.

Legal headquarters: Strada degli Schiocchi 12 - 41124 Modena ITALY

Administration headquarters: Via Canalazzo, 35 - 41036 Medolla (MO) - ITALY

Operational headquarter: Largo Filippo Neri 6/P - 06034 Foligno (PG) ITALY

Tel +39.0535.410611 - Fax +39.0535.410650

sales@olispeed.com

www.olispeed.com

Designed and manufactured in Italy for the global market

WOLONG
Power your future

Asia

Zhejiang Wolong International Business Co., Ltd
No.1801, Renmin West Road
Shangyu, Zhejiang, China
T +86 575 821 76722
F +86 575 821 76599
international@wolong.com
www.wolong-electric.com

Europe

Wolong EMEA (Germany) GmbH
Schwalmstraße 289
41238 Mönchengladbach, Germany
T +49 7182 14-1
F +49 7182 14-590
info-de@atb.wolong.com
www.wolong-electric.com

Americas

Wolong Americas LLC
3050 Post Oak Boulevard, suite 630
Houston, Texas 77056, USA
T +1 (346) 616-0102
F +1 (855) 511-6620
rfq.americas@wolong.com
www.wolong-electric.com

WOLONG FAMILY OF BRANDS



**BROOK
CROMPTON**



GE INDUSTRIAL MOTORS

**LAURENCE
SCOTT**

MORLEY



SCHORCH

