



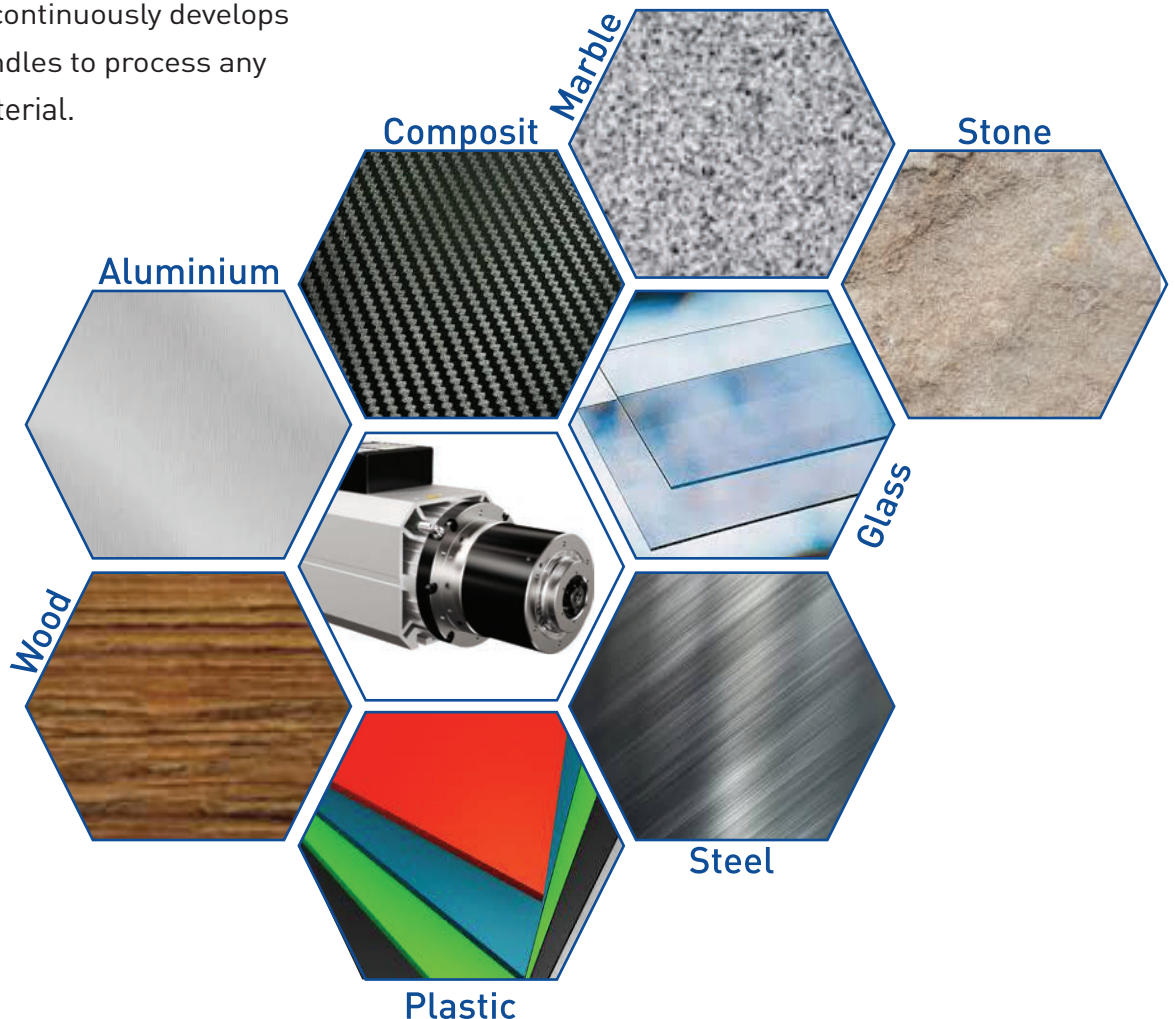
Cooling systems
Chiller, refrigerator and heat exchanger

OLIspeed began from the resourcefulness of people with recognized technical, productive and commercial experience in the machine tool sector and Hi-Tech components necessary to guarantee or improve the machines performance. In addition it was the desire of the OLI group to expand its business in the industrial field.

OLIspeed is an independent company and is not a manufacturer of CNC machines nor directly or indirectly involved with any organization, corporation or group. OLIspeed's core business is to develop, produce, and market electro-spindles, milling heads and accessories suitable for machine tools. Used for processing various materials from all types of wood to aluminium, to plastic to glass, to marble and steel.

OLIspeed, is part of the OLI group, a world leader in its sector and takes advantage of mass production of mechanical and electromechanical components, and its worldwide distribution network.

OLIspeed continuously develops electrospindles to process any type of material.



WHEN YOU NEED IT, WHERE YOU NEED IT

OLIspeed uses the OLI sales network consisting of 18 branches distributed around the world, to support our customers with pre and after sales service. Standard products are available upon request from our warehouses.

“When you need it, where you need it.”

OLI Australia

OLI Benelux

OLI Brasil

OLI China

OLI France

OLI Germany

OLI India

OLI Italy

OLI Malta

OLI Middle East

OLI Nordic

OLI Russia

OLI South Africa

OLI Spain

OLI Thailand

OLI Turkey

OLI UK

OLI USA



Excellent customer service is one of OLIspeed's primary objectives which it guarantees through its vast worldwide distribution network of solely owned branches.



EXCLUSIVE CERTIFICATION

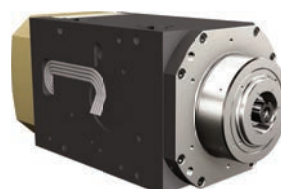
Electric motor with insulation system US certified



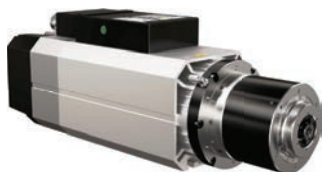
RANGE OF ELECTROSPINDLES WITH UL CERTIFICATION



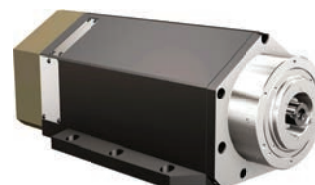
SME 070-103
From 0.8 kW to 6 kW



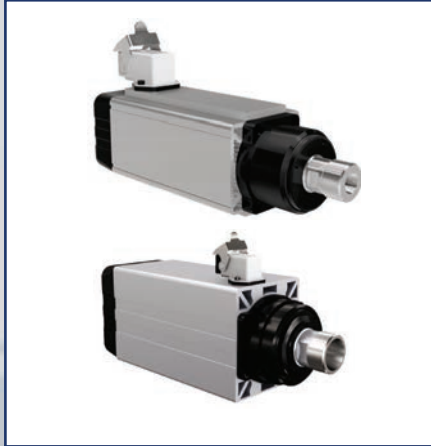
SAB150
From 7 Kw to 24 kW



SAE 103/SAE 145
From 3.5 kW to 16 Kw



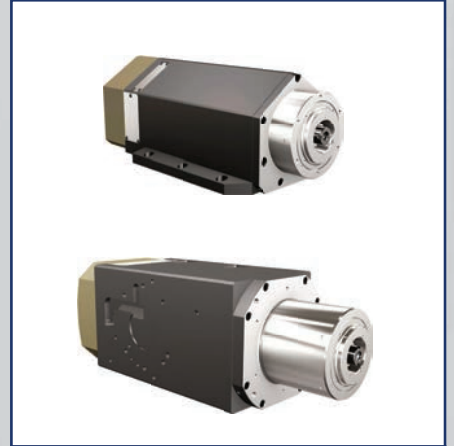
SAB 132
From 11.5 kW to 16 kW



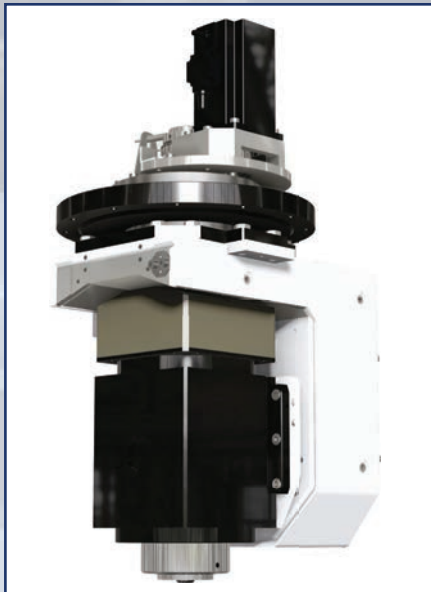
Electrospindle
Manual tool change MTC
From 0,6 to 1 kW



Electrospindle Extruded series
Automatic tool change ATC
From 3,5 to 16 kW



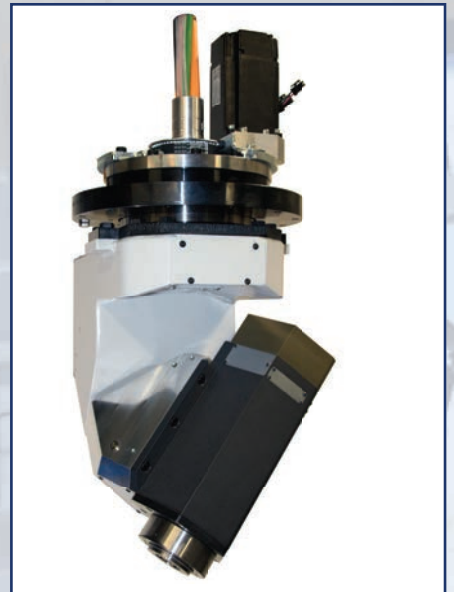
Electrospindle Block series
Automatic tool change ATC
From 7 to 24 kW



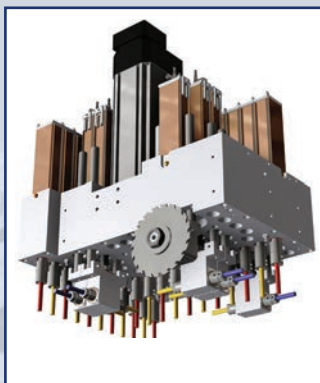
Milling heads
Single shoulder 90°
From 10 to 15 kW



Milling heads
Double shoulder
From 15 to 24 kW



Milling heads
Single shoulder 50°
From 11,5 to 16 kW



Boring Unit
Vertical, Horizontal,
blade and accessory



Heat exchanger
150-300 W/°C



Refrigerator/ Chiller
1,6-4,2 kW



Accessory



HEAT EXCHANGER

Main features

- Heat exchanger device are specifically projected for our electro spindles.
- Main support parts and housing are made in steel material protected by powder coating.
- The Heat exchanger is between Air and Liquid.
- The liquid has to be water + glycol.

Technical data

- Power 150-300 W/°C.
- Internal recirculation pump.
- Flowmeter.
- 5 litres PET tank.
- Ilme connector.
- Available, optional digital thermoregulator.

CHILLER

Main features

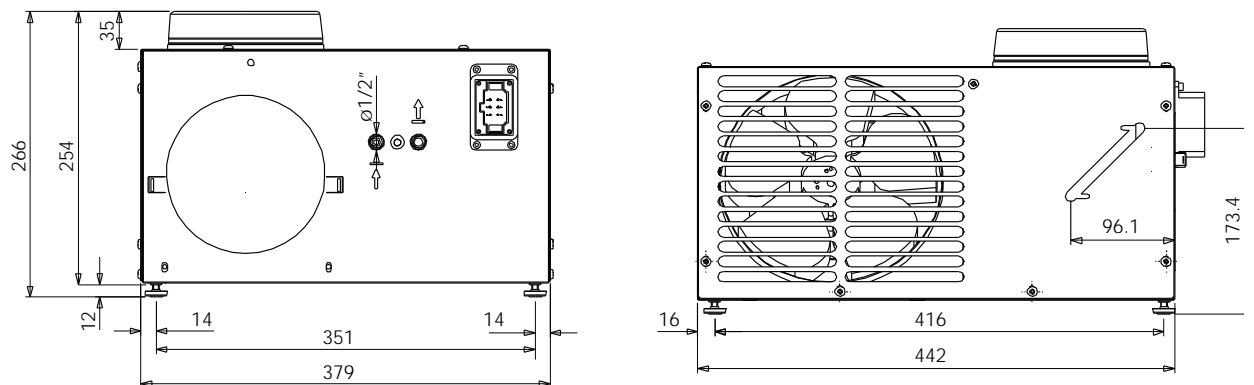
- The Chiller device are specifically projected for our electro spindles.
- Useful for liquid closed circuit (water + glycol).
- The chiller is equipped with rotating refrigerator motor.

Technical data

- Refrigeration power from 1600 W up to 4200 W.
- Working temperature 24°C.
- High prevalence hydraulic pumps with bronze impeller and cochlea.
- Internal stainless steel or PET tank (11Lt).
- Digital thermoregulator.
- Available signal for Max./Min temperature.
- Ilme connector.
- Available as optional, bypass- with pressure gauge, plastic wheels for easy moving, leveling feet, electric resistance for tank.



Dimensions

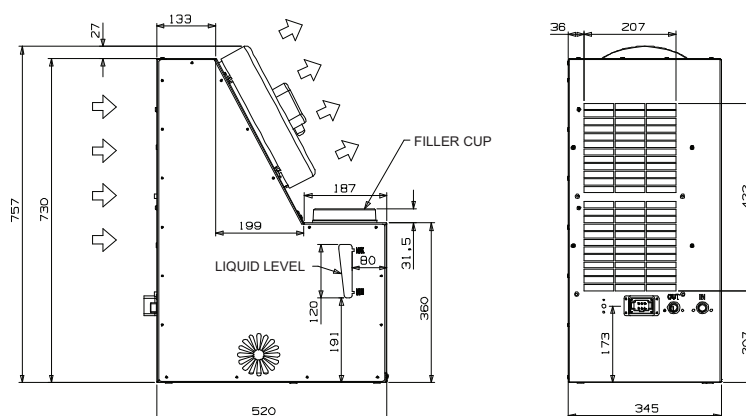


Main characteristics

	Heat exchanger			
Model code	-	EOM15M	EQT15M	ELM15M
Refrigeration power	W/°C	150	150	150
Phase	n°	Single-phase	Three-phase	Single-phase
Frequency	Hz	50/60	50/60	50
Nominal tension	V	220	380	115
Current (nominal)	A	2	1	3
Pump flow	L/min	6 - 2	6 - 2	6 - 2
Pump pressure	bar	1 - 3.2	1 - 3.2	1 - 3.2
Tank capacity-material	Lt	5 - PET	5 - PET	5 - PET
Hydraulic connections	BSP	1/2"	1/2"	1/2"
Dimensions	HxLxP	260x380x490	260x380x490	260x380x490
Weight	kg	13	13	13



Dimensions

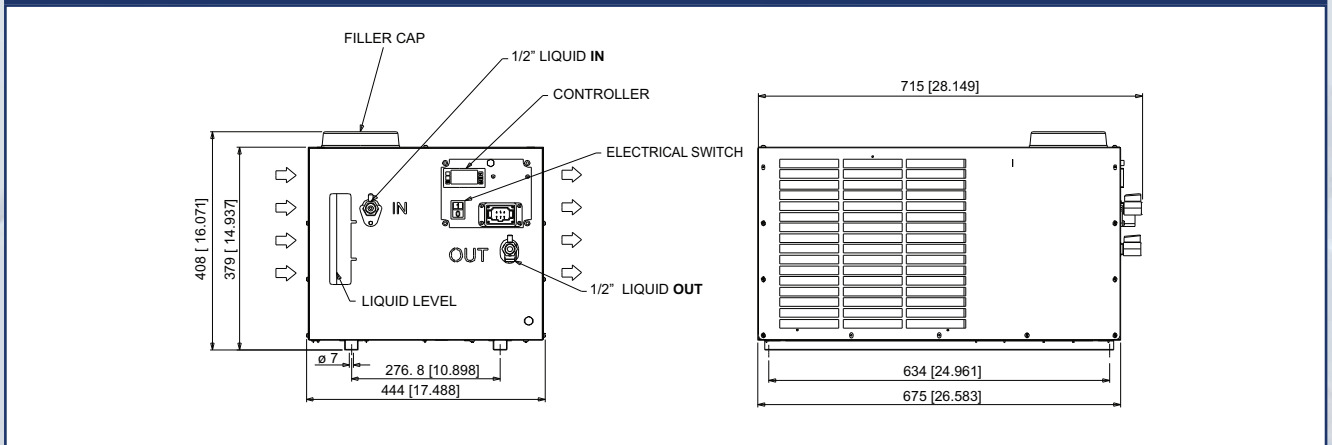


Main characteristics

Heat exchanger			
Model code	-	EOM30K	EQT30K
Refrigeration power	W/°C	300	300
Phase	n°	Single-phase	Three-phase
Frequency	Hz	50/60	50/60
Nominal tension	V	220	380
Current (nominal)	A	2.5	2
Pump flow	L/min	40-5	40-5
Pump pressure	bar	0.5-3.8	0.5-3.8
Tank capacity - material	Lt	10 - PET	10 - PET
Hydraulic connections	BSP	1/2"	1/2"
Dimensions	HxLxP	760x345x550	760x345x550
Weight	kg	25	25



Dimensions

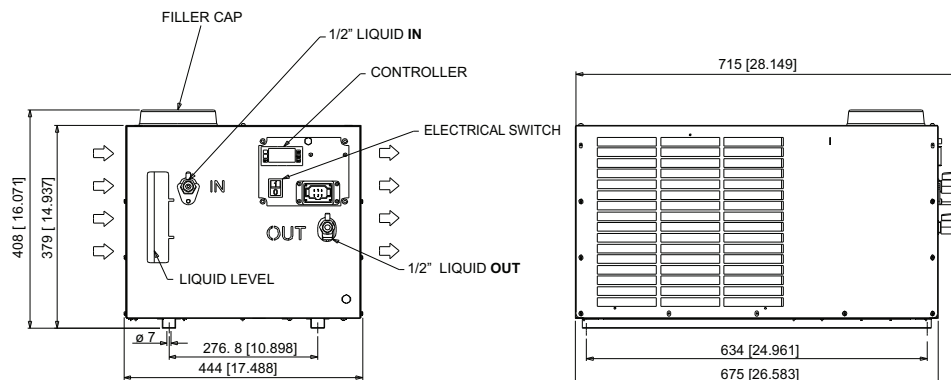


Main characteristics

Chiller - Refrigerator - standard hydraulic pump										
Model code	-	RMM16S	RNM16S	ROM16S	RMM32S	RHT32S	RPT32S	RHT32S	RHM42S	RHT42S
Refrigeration power	W	1600			3200	3200			4200	4200
External temperature	°C	32			32	32			32	32
Liquid temperature	°C	24			24	24			24	24
Phase	n°	Single-phase			Single-phase	Three-phase			Single-phase	Three-phase
Frequency	Hz	50	60	50/60	50	50	60	50/60	50	50
Nominal tension	V	220			220	380			220	380
Current (nominal)	A	5.5	6.3	10.5/12	9.5	3.8	4	3.8/4.0	10.5	5.5
Gas type	-	R407C		R134A	R407C	R407C			R407C	R410A
Pump flow	L/min	40 - 5			40 - 5	40 - 5			40 - 5	
Pump pressure	bar	0.5 - 3.8			0.5 - 3.8	0.5 - 3.8			0.5 - 3.8	
Tank capacity-material	Lt	10-PET			10-INOX	10-INOX			10-INOX	
Hydraulic connections	BSP	1/2"			1/2"	1/2"			1/2"	
Dimensions	HxLxP	400x440x700			450x440x700	450x440x700			970x620x620	
Weight	kg	40			51	51			68	



Dimensions



Main characteristics

Chiller - Refrigerator - heavy duty hydraulic pump

Model code	-	RMM16H	RNM16H	ROM16H	RMM32H	RHT32H	RPT32H	RHT32H	RHM42H	RHT42H
Refrigeration power	W	1600			3200	3200			4200	4200
External temperature	°C	32			32	32			32	32
Liquid temperature	°C	24			24	24			24	24
Phase	n°	Single-phase			Single-phase	Three-phase			Single-phase	Three-phase
Frequency	Hz	50	60	50/60	50	50	60	50/60	50	50
Nominal tension	V	220			220	380			220	380
Current (nominal)	A	5.5	6.3	10.5/12	9.5	3.8	4	3.8/4.0	10.5	5.5
Gas type	-	R407C		R134A	R407C	R407C			R407C	R410A
Pump flow	L/min	18 - 2			18 - 2	18 - 2			18 - 2	
Pump pressure	bar	1.0 - 8.0			1.0-8.0	1.0-8.0			1.0-8.0	
Tank capacity-material	Lt	10-INOX			10-INOX	10-INOX			10-INOX	
Hydraulic connections	BSP	1/2"			1/2"	1/2"			1/2"	
Dimensions	HxLxP	450x440x700			450x440x700	450x440x700			970x620x620	
Weight	kg	45			51	51			68	

Contact

OLIspeed s.r.l.

Legal headquarters: Strada degli Schiocchi 12 - 41124 Modena ITALY
 Administration headquarters: Via Canalazzo, 35 - 41036 Medolla (MO) - ITALY
 Operational headquarter: Largo Filippo Neri 6/P - 06034 Foligno (PG) ITALY
 Tel +39.0535.410611 - Fax +39.0535.410650
 sales@olispeed.com
 www.olispeed.com

Designed and manufactured in Italy for the global market

WOLONG
Power your future

Asia

Zhejiang Wolong International Business Co., Ltd
 No.1801, Renmin West Road
 Shangyu, Zhejiang, China
 T +86 575 821 76722
 F +86 575 821 76599
 international@wolong.com
 www.wolong-electric.com

Europe

Wolong EMEA (Germany) GmbH
 Schwalmstraße 289
 41238 Mönchengladbach, Germany
 T +49 7182 14-1
 F +49 7182 14-590
 info-de@atb.wolong.com
 www.wolong-electric.com

Americas

Wolong Americas LLC
 3050 Post Oak Boulevard, suite 630
 Houston, Texas 77056, USA
 T +1 (346) 616-0102
 F +1 (855) 511-6620
 rfq.americas@wolong.com
 www.wolong-electric.com

WOLONG FAMILY OF BRANDS



**BROOK
CROMPTON**



GE INDUSTRIAL MOTORS

**LAURENCE
SCOTT**

MORLEY



SCHORCH

