



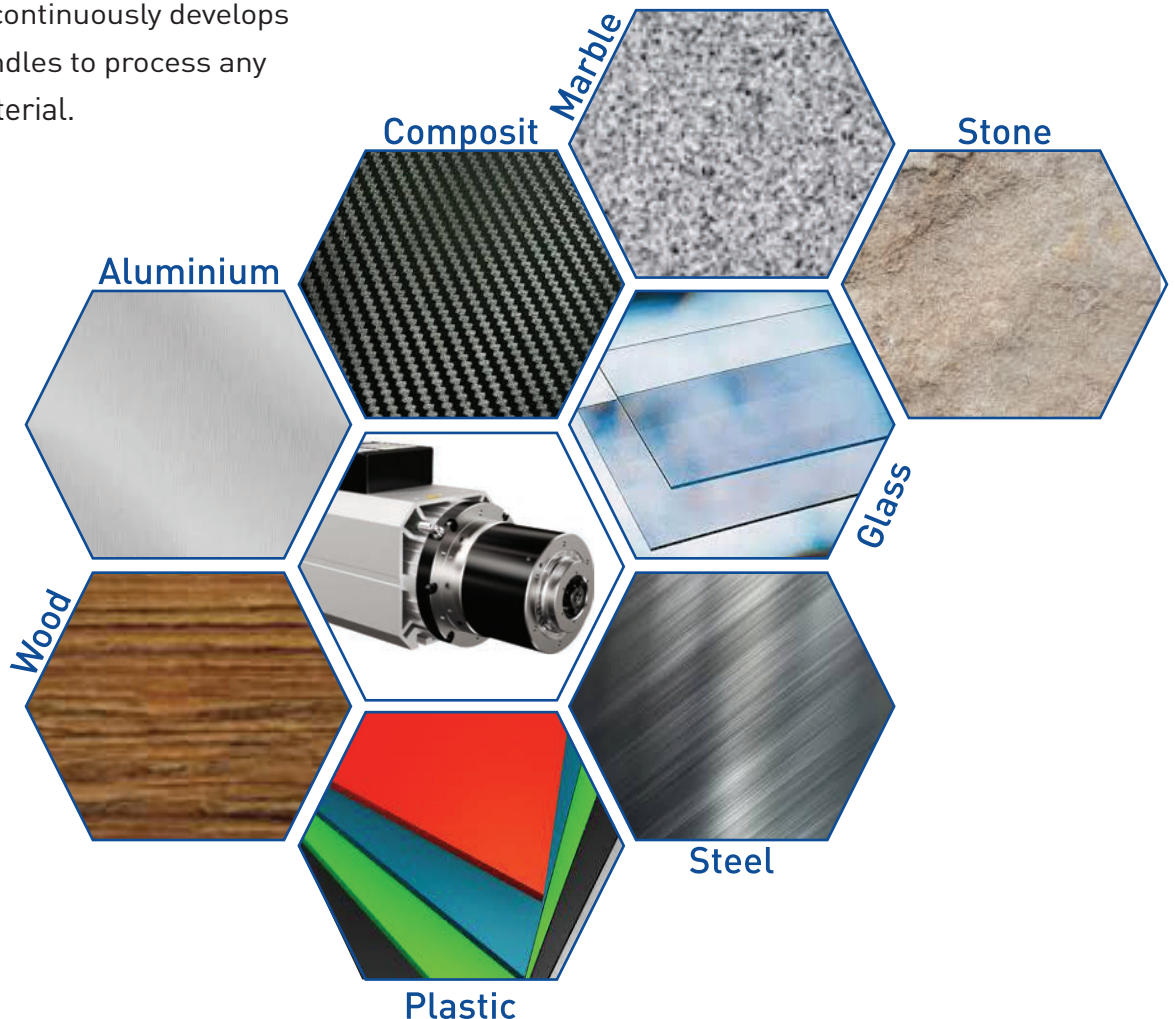
Accessory
For Electrospindles and Milling Heads

OLIspeed began from the resourcefulness of people with recognized technical, productive and commercial experience in the machine tool sector and Hi-Tech components necessary to guarantee or improve the machines performance. In addition it was the desire of the OLI group to expand its business in the industrial field.

OLIspeed is an independent company and is not a manufacturer of CNC machines nor directly or indirectly involved with any organization, corporation or group. OLIspeed's core business is to develop, produce, and market electro-spindles, milling heads and accessories suitable for machine tools. Used for processing various materials from all types of wood to aluminium, to plastic to glass, to marble and steel.

OLIspeed, is part of the OLI group, a world leader in its sector and takes advantage of mass production of mechanical and electromechanical components, and its worldwide distribution network.

OLIspeed continuously develops electrospindles to process any type of material.



WHEN YOU NEED IT, WHERE YOU NEED IT

OLIspeed uses the OLI sales network consisting of 18 branches distributed around the world, to support our customers with pre and after sales service. Standard products are available upon request from our warehouses.

“When you need it, where you need it.”

OLI Australia

OLI Benelux

OLI Brasil

OLI China

OLI France

OLI Germany

OLI India

OLI Italy

OLI Malta

OLI Middle East

OLI Nordic

OLI Russia

OLI South Africa

OLI Spain

OLI Thailand

OLI Turkey

OLI UK

OLI USA



Excellent customer service is one of OLIspeed's primary objectives which it guarantees through its vast worldwide distribution network of solely owned branches.



EXCLUSIVE CERTIFICATION

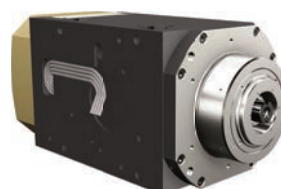
Electric motor with insulation system US certified



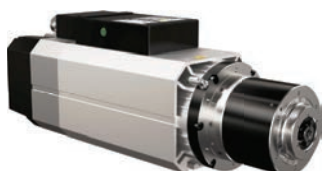
RANGE OF ELECTROSPINDLES WITH UL CERTIFICATION



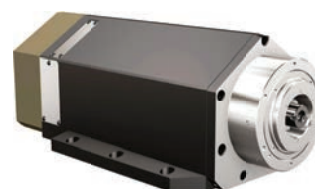
SME 070-103
From 0.8 kW to 6 kW



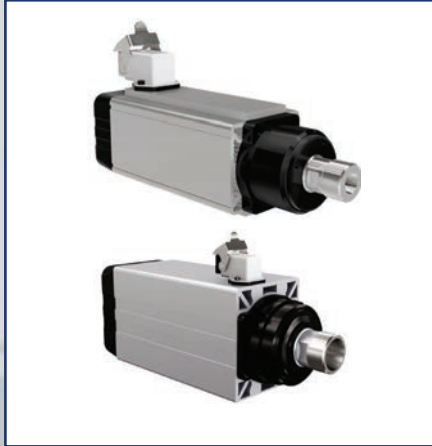
SAB150
From 7 Kw to 24 kW



SAE 103/SAE 145
From 3.5 kW to 16 Kw



SAB 132
From 11.5 kW to 16 kW



Electrospindle
Manual tool change MTC
From 0,6 to 1 kW



Electrospindle Extruded series
Automatic tool change ATC
From 3,5 to 16 kW



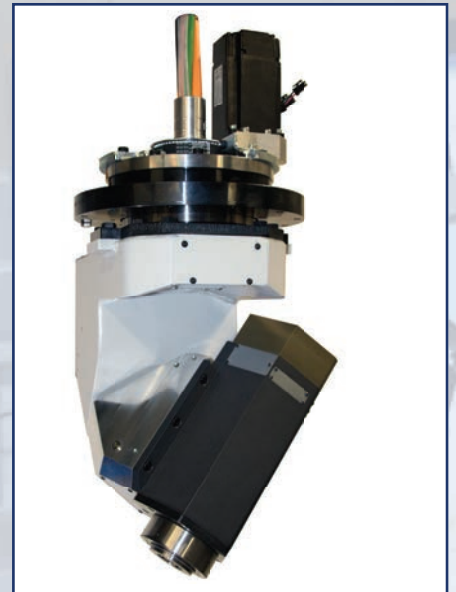
Electrospindle Block series
Automatic tool change ATC
From 7 to 24 kW



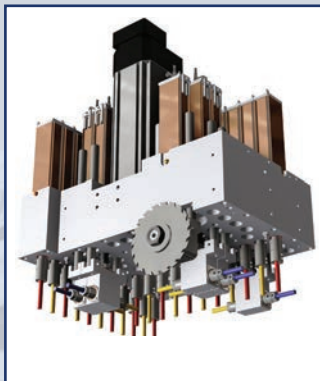
Milling heads
Single shoulder 90°
From 10 to 15 kW



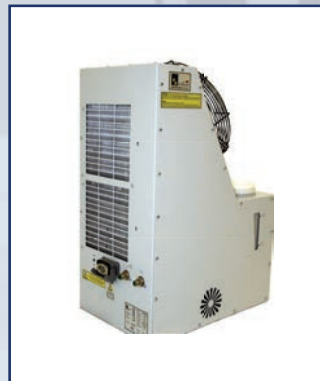
Milling heads
Double shoulder
From 15 to 24 kW



Milling heads
Single shoulder 50°
From 11,5 to 16 kW



Boring Unit
Vertical, Horizontal,
blade and accessory



Heat exchanger
150-300 W/°C

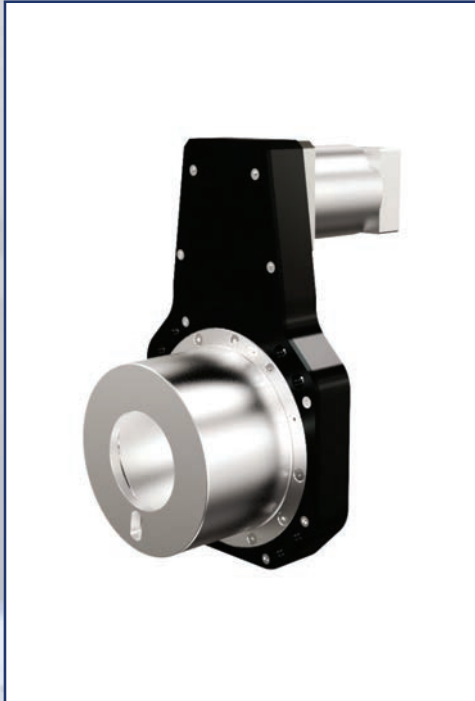


Refrigerator/ Chiller
1,6-4,2 kW

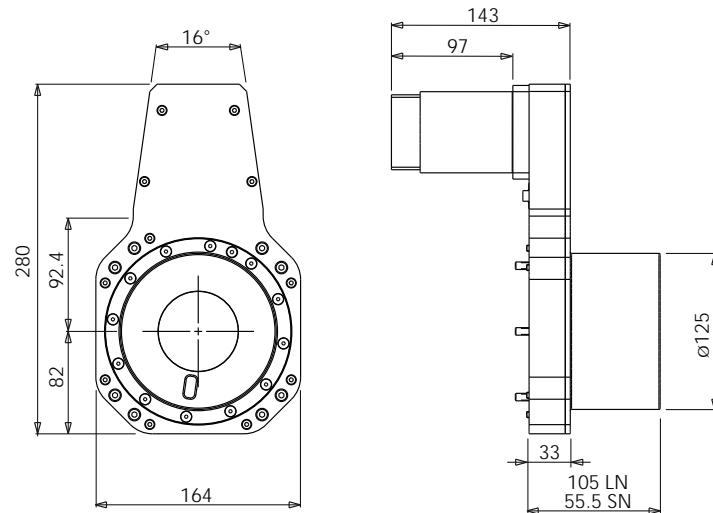


Accessory

C axis



Dimensions



Main characteristics

C - axes		CSR400	CLR400
Fitting electrospindles	-	SAE145 short nose - SN	SAE145 long nose - LN
Rotation range	Degree °	continuous	
Nominal torque	Nm	80	
Max torque	Nm	120	
Motor power	W	400/800	
Max/Nominal speed	Nm	3000/5000	
Homing position type/N°	-	PNP - NC/1	
Gearbox type	-	planetary gearbox	
Reduction ratio	-	1 / 82	
Lubrication	grease	for life	
Additional service/type/N°	Pneumatic	-	3 max
Accuracy	arc/min	0.01	
Weight	kg	8.0	



Main characteristics

Thanks, a deep collaboration with industrial partners, OLIspeed has developed a specific anticorrosive cooling liquid with also antifreeze characteristics.

OLIspeed anticorrosive is a liquid water additive, formulated to provide corrosion protection for a broad range of materials in "closed circuit" re-circulating systems. It's suitable for use in most "new" and "existing" cooling systems. However, when used with existing cooling systems which may contain excess scale, oxidation, and sediment, it may be advisable to first flush the system with a mild cleaning agent.

Conductive fluid cooling circuits containing materials such as copper, brass, and aluminium create an environment for galvanic corrosion. OLIspeed anticorrosive liquid coats the metallic surfaces to minimize or eliminate corrosion and in addition provides an unfriendly environment for Algae. It also assures a low conductivity.

OLIspeed recommends changing the anticorrosive fluid solution annually.

Failing to change the solution when prescribed can lead to serious corrosion problems

Contact

OLIspeed s.r.l.

Legal headquarters: Strada degli Schiocchi 12 - 41124 Modena ITALY

Administration headquarters: Via Canalazzo, 35 - 41036 Medolla (MO) - ITALY

Operational headquarter: Largo Filippo Neri 6/P - 06034 Foligno (PG) ITALY

Tel +39.0535.410611 - Fax +39.0535.410650

sales@olispeed.com

www.olispeed.com

Designed and manufactured in Italy for the global market

WOLONG
Power your future

Asia

Zhejiang Wolong International Business Co., Ltd
No.1801, Renmin West Road
Shangyu, Zhejiang, China
T +86 575 821 76722
F +86 575 821 76599
international@wolong.com
www.wolong-electric.com

Europe

Wolong EMEA (Germany) GmbH
Schwalmstraße 289
41238 Mönchengladbach, Germany
T +49 7182 14-1
F +49 7182 14-590
info-de@atb.wolong.com
www.wolong-electric.com

Americas

Wolong Americas LLC
3050 Post Oak Boulevard, suite 630
Houston, Texas 77056, USA
T +1 (346) 616-0102
F +1 (855) 511-6620
rfq.americas@wolong.com
www.wolong-electric.com

WOLONG FAMILY OF BRANDS



**BROOK
CROMPTON**



GE INDUSTRIAL MOTORS

**LAURENCE
SCOTT**

MORLEY



SCHORCH

